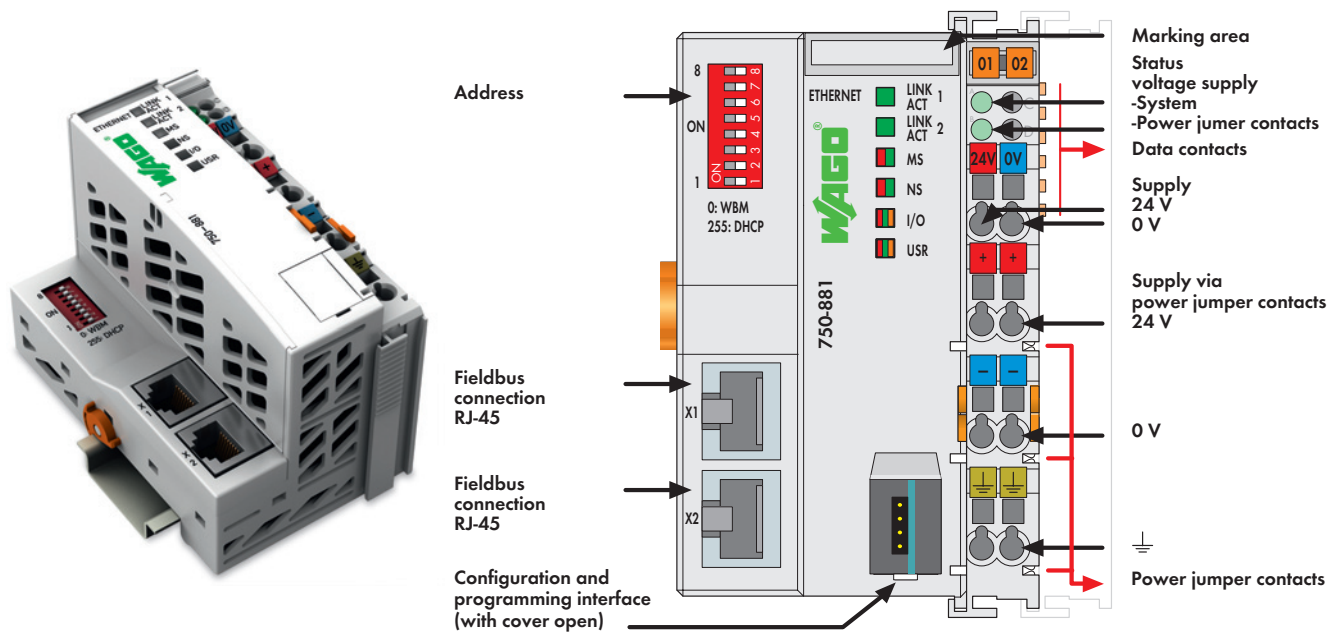


10/100 Mbit/s; digital and analog signals



The TS400 Fieldbus Controller 832.700.500 is the starting point of every node. It is extended with the modular WAGO-I/O-SYSTEM.

The DIP switch configures the last byte of the IP address and may be used for IP address assignment (DHCP, BootP, static).

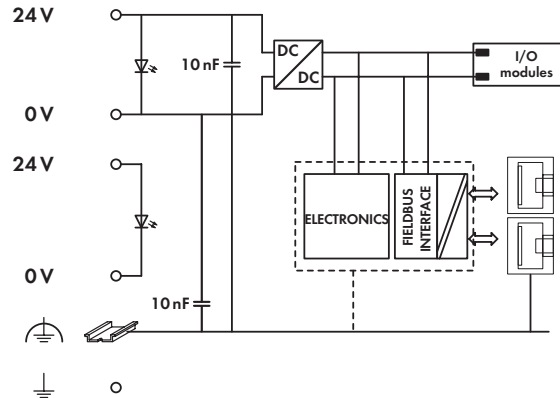
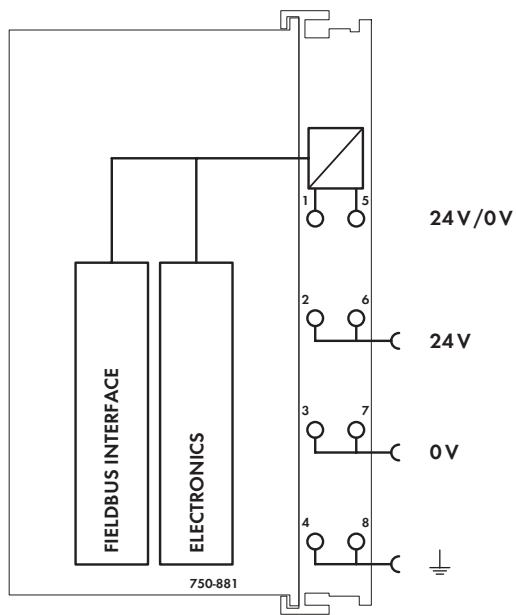
The fieldbus controller automatically configures, creating a local process image which may include analog, digital or specialty modules. Analog and specialty module data is sent via words and/or bytes; digital data is sent bit by bit.

The controller is designed for fieldbus communication in both Ethernet/IP and MODBUS networks. It also supports a wide variety of standard ETHERNET protocols (e.g., HTTP, BootP, DHCP, DNS, SNTP, SNMP, FTP). An integrated Web server provides configuration and status information from the controller. The device, which is programmable to IEC61131-3, is capable of multitasking and has a real-time clock.

Two ETHERNET interfaces and an integrated switch allow the fieldbus to be wired in a line topology. This eliminates additional network devices such as switches or hubs. Both interfaces support Auto-Negotiation and Auto-MDI(X).

| Description | Item No. | Pack. Unit |
|---|--|------------|
| TS400 Fieldbus controller | 832.700.500 | 1 |
| Accessories | | |
| Miniature WSB Quick marking system | | |
| plain | 248-501 | 5 |
| with marking | see Full Line Catalog 2010/2011 Volume 3, Section 1 | |
| Approvals | | |
| Conformity marking | CE | |
| UL 508 | | |
| Shipbuilding | GL (Germanischer Lloyd), DNV (Det Norske Veritas) | |

| System Data | |
|--|---|
| No. of controllers connected to Master | limited by ETHERNET specification |
| Transmission medium | Twisted Pair S-UTP 100 Ω, Cat 5; Max. line length: 100 m |
| Baud rate | 10/100 Mbit/s |
| Transmission performance | Class D acc. to EN 50173 |
| Buscoupler connection | 2 x RJ-45 |
| Protocols | EtherNet/IP, MODBUS/TCP (UDP), HTTP, BootP, DHCP, DNS, SNTP, FTP, SNMP |
| Programming | WAGO-I/O-PRO CAA |
| IEC 61131-3 | IL, LD, FBD, ST, FC |



Technical Data

| | |
|--|---------------------------|
| Number of I/O modules | 64 |
| with bus extension | 250 |
| Fieldbus | |
| Max. input process image | 1020 words |
| Max. output process image | 1020 words |
| Configuration | via PC |
| Program memory | 1024 Kbytes |
| Data memory | 512 Kbytes |
| Non-volatile memory (retain) | 32 Kbytes |
| Voltage supply | 24 V DC (-25 % ... +30 %) |
| Input current typ. at rated load (24 V) | 500 mA |
| Efficiency of the power supply (typ.) at nominal load (24 V) | 90 % |
| Internal current consumption (5 V) | 450 mA |
| Total current for I/O modules (5 V) | 1700 mA |
| Isolation | 500 V system/supply |

General Specifications

| | |
|---|--|
| Operating temperature | 0 °C ... +55 °C |
| Wire connection | CAGE CLAMP® |
| Cross sections | 0.08 mm ² ... 2.5 mm ² / AWG 28 ... 14 |
| Stripped lengths | 8 ... 9 mm / 0.33 in |
| Dimensions (mm) W x H x L | 62 x 65 x 100 |
| | Height from upper-edge of DIN 35 rail |
| Weight | 160 g |
| Storage temperature | -25 °C ... +85 °C |
| Relative air humidity (no condensation) | 95 % |
| Vibration resistance | acc. to IEC 60068-2-6 |
| Shock resistance | acc. to IEC 60068-2-27 |
| Degree of protection | IP20 |
| EMC: CE - immunity to interference | acc. to EN 61000-6-2 (2005) |
| EMC: CE - emission of interference | acc. to EN 61000-6-3 (2007) |
| EMC: marine applications | |
| - immunity to interference | acc. to Germanischer Lloyd (2003) |
| EMC: marine applications | |
| - emission of interference | acc. to Germanischer Lloyd (2003) |